



RAPID DOORS

# about north valley metal

Established in 1966, North Valley Metal is one of the country's leading suppliers of components, motors, electrical controllers and automatic entrance operators commercial entrance door market, with a reputation that is built on quality, reliability and service to our customers.

Partnering with Ditec, NVM now offer a comprehensive range of High Speed Door Kits, in both Fold Up and Roll Up versions. We also offer a full range of Ditec spares including Photocells, Switches & Panels, and complete Safety Edge Kits.

All High speed Doors are manufactured to customer order and assembled at the factory to ensure everything functions correctly. The Kits are then disassembled, crated and shipped to your site ready for reassembly. Kits can be shipped to your factory or direct to your customer site.

Kits can be supplied as a Single Sheet Curtain or as a Modular Curtain. Single Sheet Curtains offered at a more competitive price, whilst the Modular Curtain is more cost effective to replace in cases of damage. In addition, Self-Repair Curtains are also available along with a range of Clear Curtains, Food Standard Curtains and Heavy Duty Curtains.

Curtains are available in a range of PVC Colours to RAL specification. Vision Panels are also available in a range of finishes from Clear PVC to Mesh, whilst the Modular Curtain offers a range of options including Clear Panels, Warning Strips, and Reinforcing Bars.

The kit range is available to suit every application. Internal or External installation, High Wind Rating and high Traffic Volume requirements are all catered for. In High Volume Traffic situations, Kits can be supplied with a Counterweight Balancing System guaranteeing up to 600 cycles per day, whilst for lower traffic volumes our standard installation guarantees up to 300 cycles per day.

All High speed Doors supplied can be installed as Face Fit or Recess Fit, whilst the Galvanised Frames and Header can be supplied with cover panels, again in plain galv or PPC finish. In addition to Frame Covers, Motor Cover Boxes, and Hoods are also available. For external applications, Motors can be supplied in a Rust Proof finish to IP 65 rating.

To complement our High Speed Door range, NVM also offer an extensive range of accessories and safety products. Active and Passive Safety Edge Kits, Induction Loops, Traffic Lights, Photocells and Active Infrared Sensors are all available and supplied pre-wired for ease installation.

A range of Push Buttons, Remote Control, Manual Over-ride and Interlocks are also available and also pre-wired.

Motors can be supplied in Single or 3 Phase options, whilst Inverters are available for Soft Start / Soft Stop configurations. All Motors are supplied pre-wired as are the Control Panels, and electrical Accessories.

Qualified NVM Engineers trained on the High Speed Door Range are available for Technical Support, whilst our Sales & spares Order Team are available to assist in any enquiry.

**For further details please contact :** North Valley Metal on 01282 615239

**or email :** [sales@nvmgroup.co.uk](mailto:sales@nvmgroup.co.uk)

**Alternatively visit our website :** [www.nvmgroup.co.uk](http://www.nvmgroup.co.uk)

# Technical specifications

NVM flexible doors, which can be used both as interior doors between two industrial areas and as transit zones to the outdoors, optimise logistics, provide insulation by eliminating drafts of air and heat loss, and reduce noise pollution and dust.

The fast opening and closing speeds and the small size make them ideal for areas with a high flow of people, carts or trolleys and vehicles.

Efficient goods management makes it possible to save time and reduce costs, in addition to reducing the environmental impact and improving delivery times to customers.

The curtains are made of transparent PVC or polyester and come in a vast range of colours: to improve occupational safety, to facilitate easy and rapid passage crossing, or to adapt the doors to the company colours.

## Modular

The modular system of the flexible, folding or roll-up curtains is an important feature of NVM doors and allows damaged sections to be replaced easily and quickly.

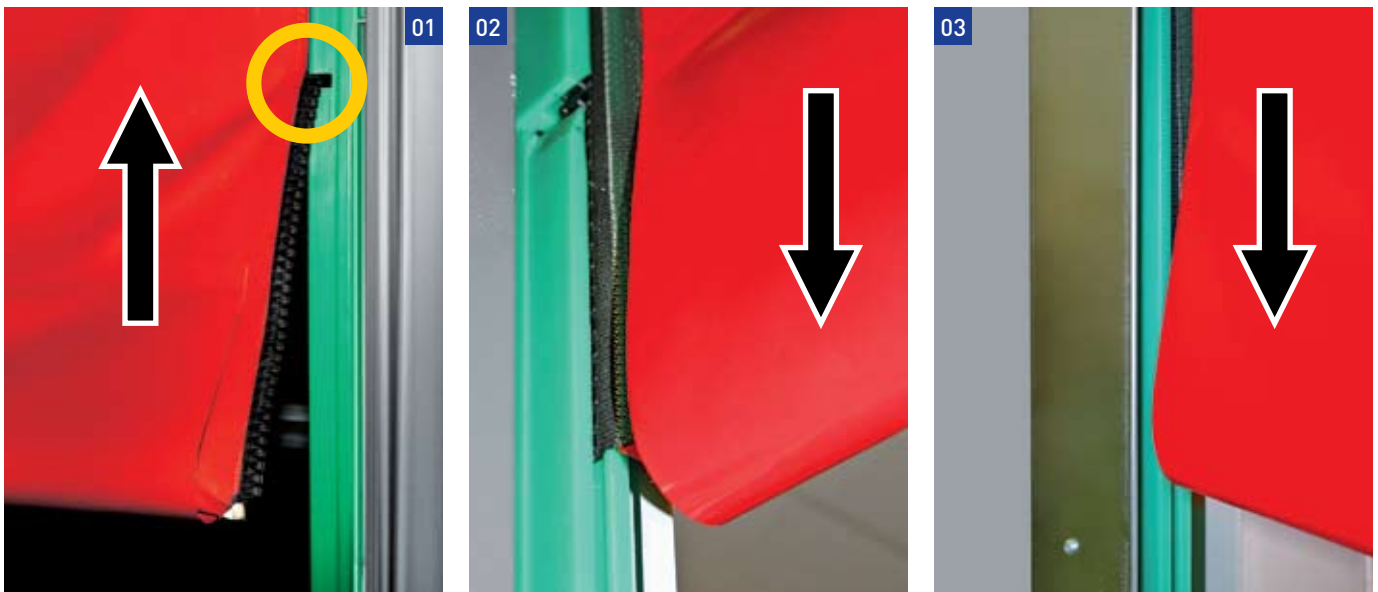
## Flexible

Upon request, the motor can be equipped with an *INVERTERmotion* system for different speeds, acceleration and braking control, ensuring both high performance and safety. It is easy to adjust speeds.

## Self-Repairing

Industrial doors installed in busy settings do occasionally get bumped by vehicles, which can result in downtime during repair **01**.

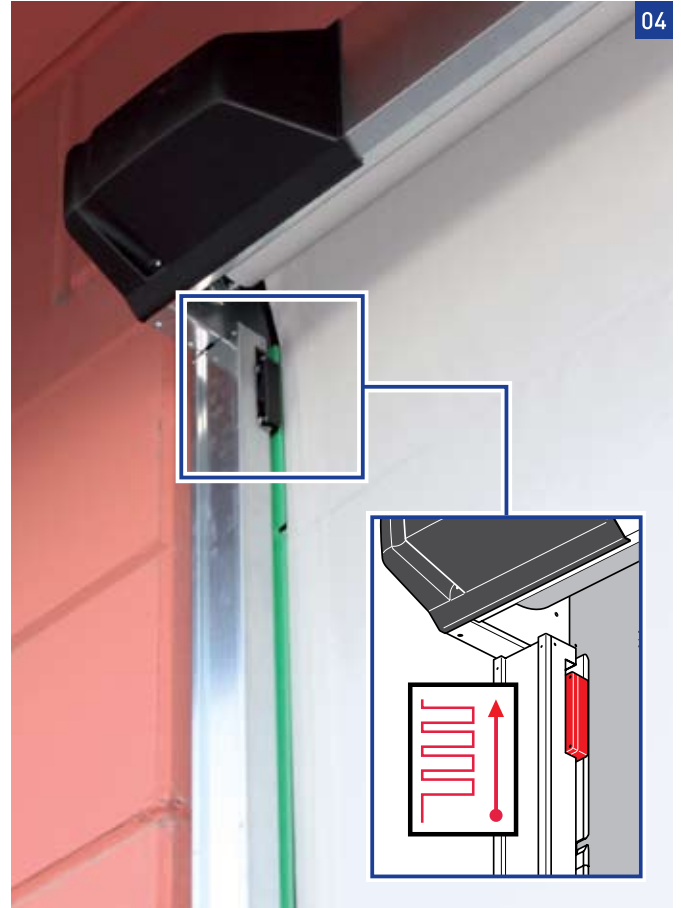
The NVM Sector Reset and NVM Smart Reset roll-up doors are however equipped with a self-repairing system **02** capable of automatically resetting the door after an impact **03**.



### Safe

NVM flexible doors guarantee unmatched levels of safety thanks to two exclusive devices which reduce the risk of injury caused by collisions with the curtain: the electronic Safety Linear Encoder (SLE) system, and the sequential barriers.

The **Safety Linear Encoder, SLE** 04, is a Patent Pending electronic system that reverses the motion of the door if an obstacle is encountered as the door closes.



The **sequential safety barriers** 05 are composed of a band of infra-red rays which detect even small obstacles located in the line of the closing door.

When at least one ray is broken, the system is activated and the control electronics stop and reverse the movement of the curtain.

The bands are progressively deactivated as the door closes.

This modern solution, mounted in line with vertical guides, can protect the entire height of the door and detect people, vehicles and objects within the space, without any contact being necessary.



The image has been deliberately altered to show how the product works.

# NVM Sector Reset

Self-repairing door, with system of counterweights, for fast access in total safety  
Designed for very heavy service

## Sturdy and reliable, for a very heavy use

The NVM Sector Reset door is characterised by a sturdy and compact free-standing structure, by a front motor with black ABS protective cover in an exclusive design, easily and quickly accessible for quick checks on the components.

The motor features an optional release device for a semi-automatic emergency reopening system, which can be made completely automatic with the APS system.

## High levels of safety

NVM Sector Reset is noted for a series of significant levels of safety such as the balancing system, the Safety Linear Encoder, SLE, Patent Pending, system and the sequential barriers.

The balancing system with modular counterweights, complete with sturdy traction belts, guarantees a high standard of safe and reliable operation, in addition to extending the life of the door.

The exclusive electronic device SLE, Safety Linear Encoder, Patent Pending, controls the closing speed by means of the side hinge elements, generating the reversal command in the event that the closing movement is impeded.

The sequential safety barriers protect the closing line of the door blade up to a height of 2.5 m, making the installation of other photocells or bottom safety edges unnecessary.

## Tight-sealing, safe, flexible, self-repairing curtains

The curtain slides inside the side hinges making it very resistant to air and static wind pressure (up to 120 km/h). Available in a wide range of colours, it can be provided with standard transparent PVC windows and optional larger windows configured as needed, to meet a vast range of operating and safety requirements.

In addition, there is the possibility of creating partial or total silk-screens and digital prints, to meet the specific requirements of particular commercial environments.



Why choose NVM Sector Reset	Self-repairing system	Very high traffic areas	Sturdy, with safe and reliable performance	Fast passage	High wind resistance without compromising safety
-----------------------------	-----------------------	-------------------------	--	--------------	--

Dimensional specifications

Automation dimensions

	Min	Max
PL	900	6000
PH	1700	5000

Key  
 L = Width side wall      LT = Automation full width      PL = Horizontal opening  
 H = Height side wall      HT = Automation full height      PH = Vertical opening

When taking measurements, consider the lateral space required \*15 mm per side  
 If installing in span, consider:  
 \*\* = 25 mm  
 \*\*\* = 50 mm  
 Optional photocell with safety package

Flexible curtain features (maximum values)

**Full curtain**

**STANDARD WINDOW SECTIONS (980 x H 300)**

Window position	Up to PH
8	5000
7	4500
6	4000
5	3500
4	3000
3	2500
2	2000
1	1500
	1000

\* option available only with 1 or 3 window sections and PL > 3750

**LARGE WINDOW SECTIONS (920 x H 1600) applicable in the PH range price list**  
 Note: for PH < 2000 part of the window section winds into the transom

# NVM Smart Reset

Self-repairing, safe and high performance  
Simple, reliable and compact

## Maximum functionality with the special self-repairing system

NVM Smart Reset offers something unique in its product class: the special and innovative system that makes the door self-repairable.

With a simple and automatic opening and closing manoeuvre, the curtain can be retrieved if it accidentally slips out of its housing: after contact with an object, the door resets the }rst time it is opened.

## Simple, reliable and compact

The NVM Smart Reset roll-up door has a sturdy and compact supporting structure, a motor mounted outside the door, easily and quickly accessible for inspection, and components that are well-designed and thoroughly tested. These key features make this door an aesthetic, pragmatic solution which is easy and quick to assemble, safe and reliable.

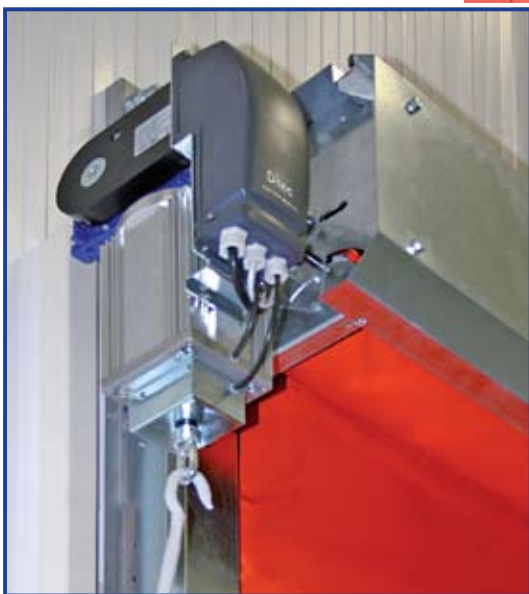
## Maximum levels of safety

The door can be equipped with the *INVERTERmotion* system, the exclusive electronic SLE device, and can also be opened manually with an emergency device with a crank handle usable from the ground.

## Tight-sealing curtain available in multiple solutions

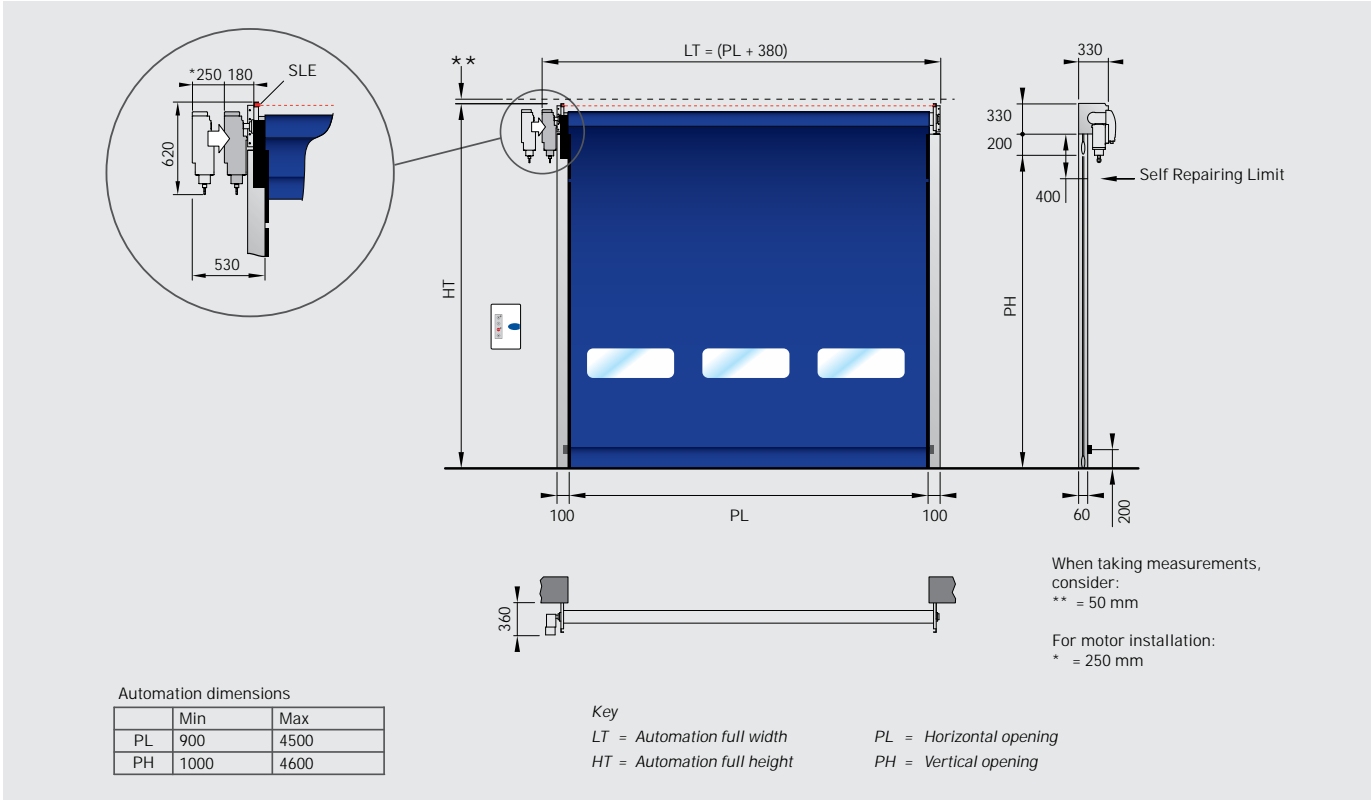
The -exible curtain is available in the standard or large window section version in transparent PVC, in non-tear polyester in blue, grey or red, insulated in the blue and grey or white food use.

The multiple solutions offered allow the various operational requirements and the different regulations of specific sectors of application to be met, guaranteeing good visibility and improving safety during passage

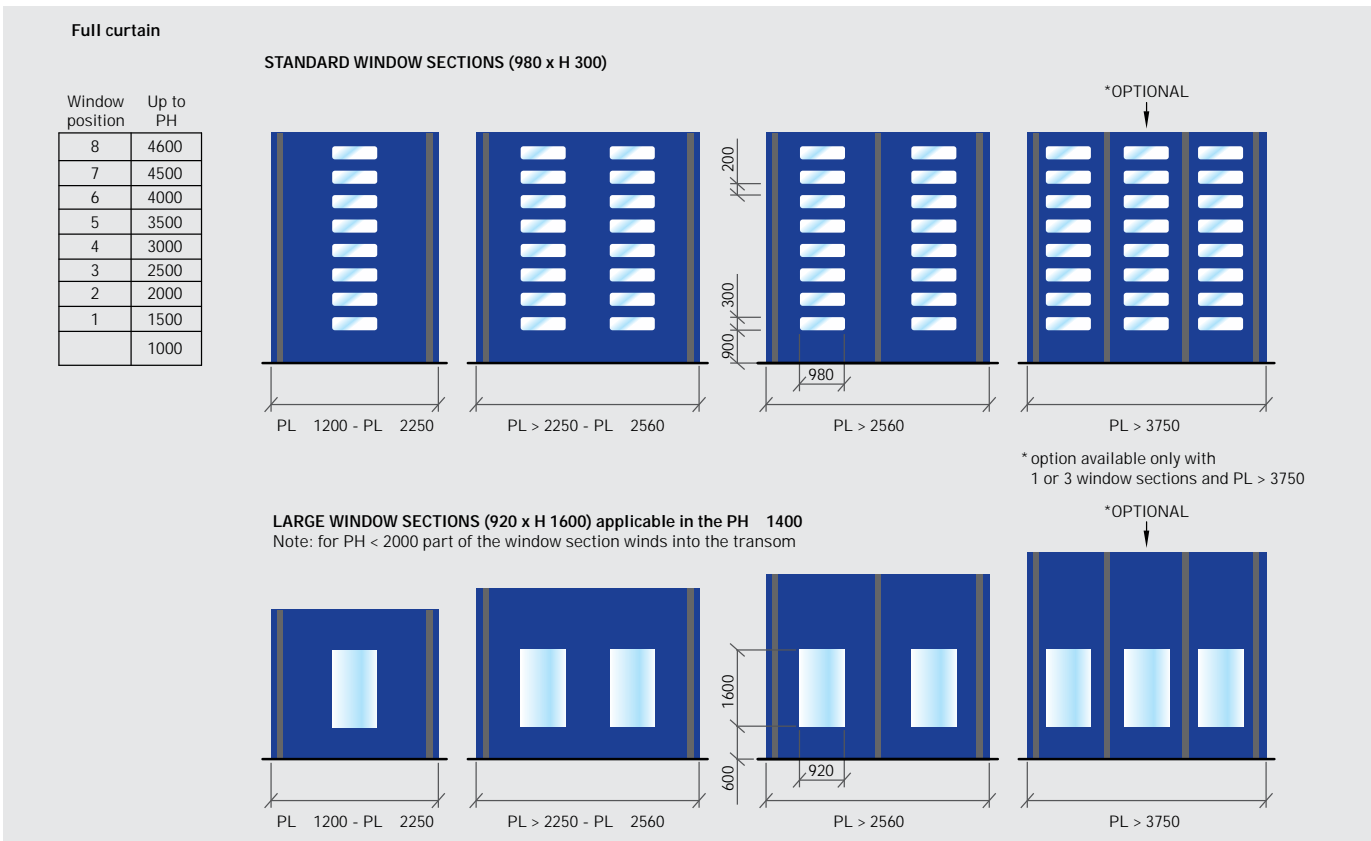


Why choose NVM Smart Reset	Self-repairing system	High traffic areas	Limited space	Quick reaction	High wind resistance without compromising safety
----------------------------	-----------------------	--------------------	---------------	----------------	--

Dimensional specifications



Flexible curtain features (maximum values)





# NVM Sector Plus

Counterweights ensure safe and reliable high performance  
With built-in motors, for perfect aesthetic cleaning

## Safe and reliable thanks to the modular counterweights system

Technologically advanced, it has a built-in motor which, operating with the minimum consumption of power, allows energy to be saved and extends the life of the automation. The door features a modular counterweight balancing system with sturdy traction belts ensuring safe, smooth and reliable operation, while extending the lifetime of the door.

## Differentiated speed settings for better efficiency

Sturdy, reliable and safe, it is the ideal automatic door for areas that have to quickly handle passage of goods or people, both inside buildings and for areas of transit to the outside.

The *INVERTERmotion* systems offers differentiated speed settings, acceleration and braking, high performance and safety.

Sturdy and reliable, it can be easily adapted to every type of context both industrial and commercial, where the speed of access is important: supermarkets, car dealers, warehouses, logistics centres and production plants.

## Aesthetic and safe flexible curtains

Wide range of standard colours or in special colours upon request: even combined with a transparent central section, which allows the most diverse operational requirements to be

met, guaranteeing greater visibility and improving safety during passage through the door.

## With built-in motors, for perfect aesthetic cleaning

The built-in motor operates at the lowest possible power, conserving energy and prolonging operator life. Its hidden position allows even problems of an aesthetic type to be resolved without reducing the width of passage.



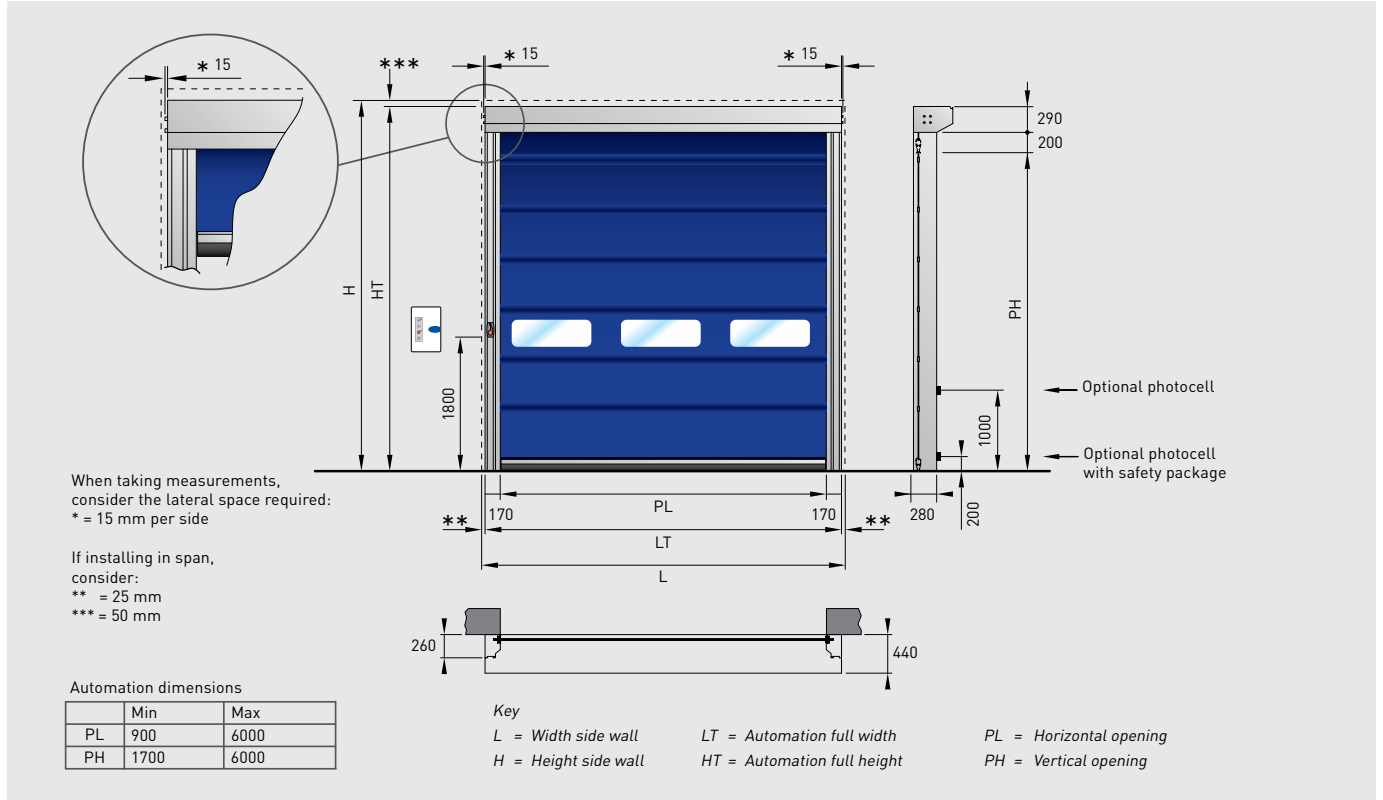
Why choose  
NVM Sector Plus

Safe and reliable,  
high performance

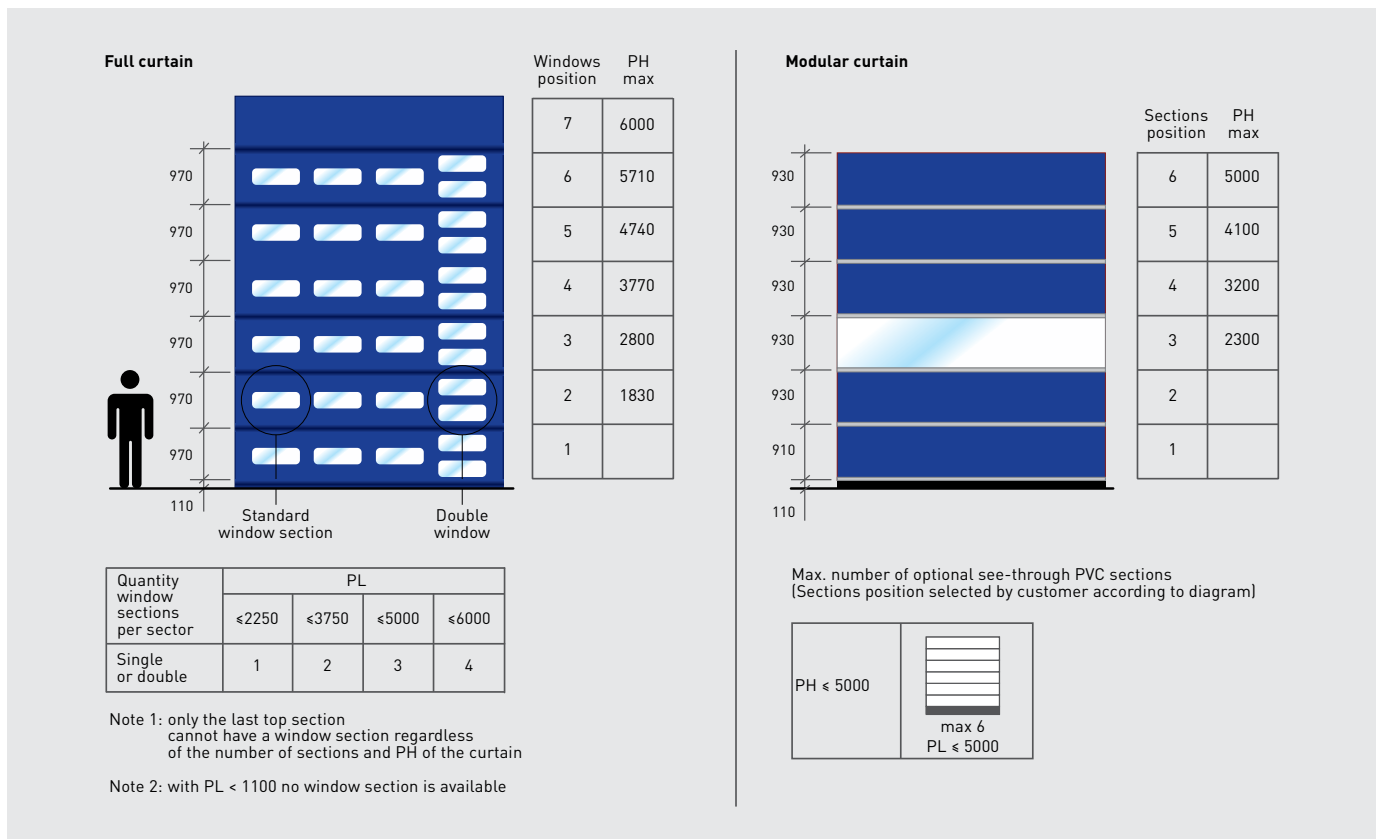
Very heavy-duty  
use

Aesthetic  
flexible curtains

### Dimensional specifications



### Flexible curtain features (maximum values)



# NVM Smart Plus

**Rational, for fast access in total safety**  
**Simple and compact design**

## Simple and compact for fast access

NVM Smart is a fast door characterised by rationality, compactness and modularity: these features facilitate their installation and allow operations to be performed without difficulty on all its components.

The sturdy and essential load-bearing structure, the motor and NVM original components, optimally designed and tested along with the modularity of the curtains, are the elements which make Smart a safe door, aesthetic, very pragmatic, easy and fast to assemble and practical during maintenance, inspection and controls.

The extremely small sizes allow installation even where there are problems of space.

## Maximum rationality, without giving up aesthetics

The fast NVM Smart doors are not only practical, but also aesthetically pleasing.

In addition to the version with complete curtain, the modular one may be chosen combining the different colours available to the transparent central sector.

## Outside mounted motor with speed options

The motor, outside the structure of the door, guarantees maximum performance and easy inspection.

The motor is, furthermore, provided complete with the manual emergency reopening device.

The motor comes on the left outside as standard, but is also available mounted on the right as an option, to better meet the various operational requirements.

Upon request, the motor can be equipped with an *INVERTERmotion* system, ensuring both high performance and safety.

The SOFT START and SOFT STOP functions, being part of the system, reduce stress on mechanical parts, ensuring reliability while prolonging the lifetime of the door.



Why choose  
Ditec Smart Plus

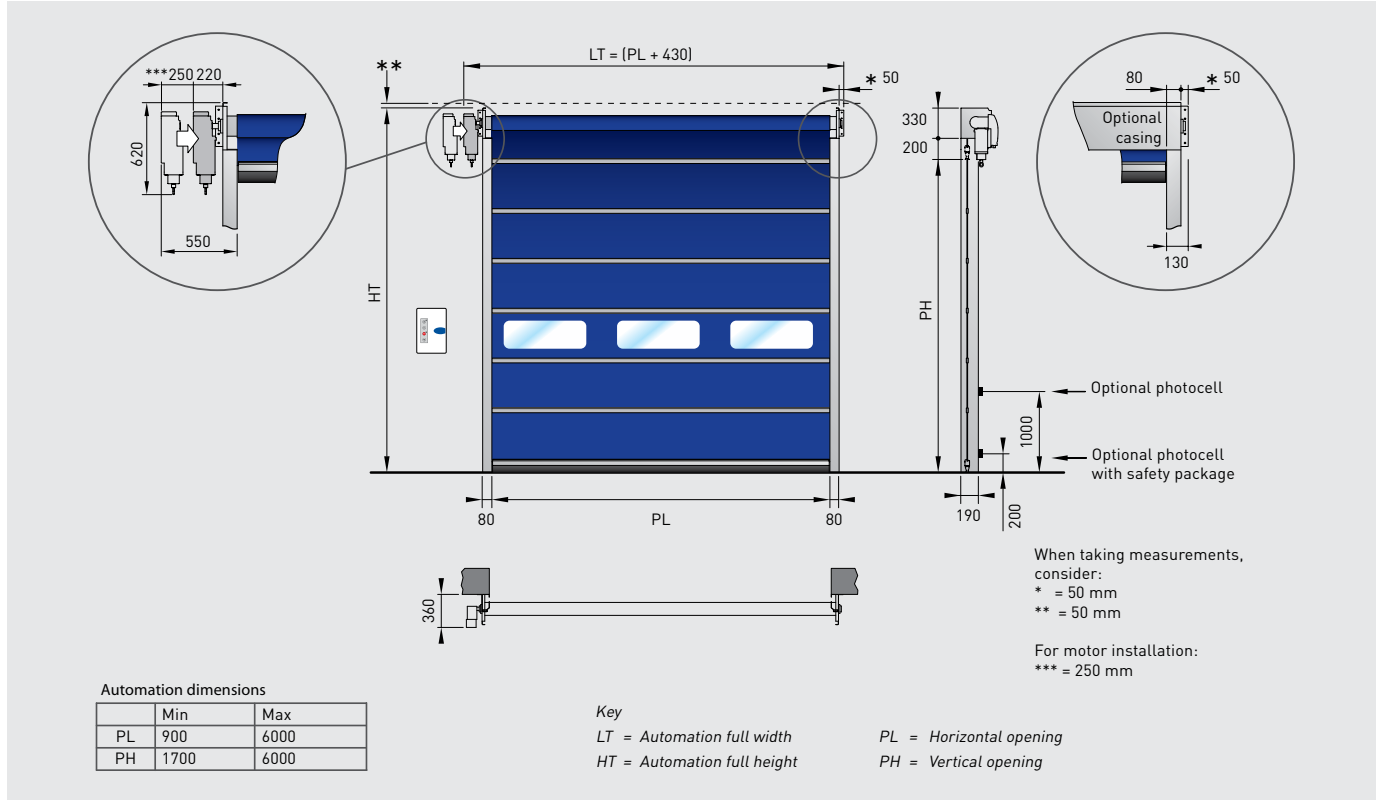
Simple and compact  
for fast access

Medium  
traffic

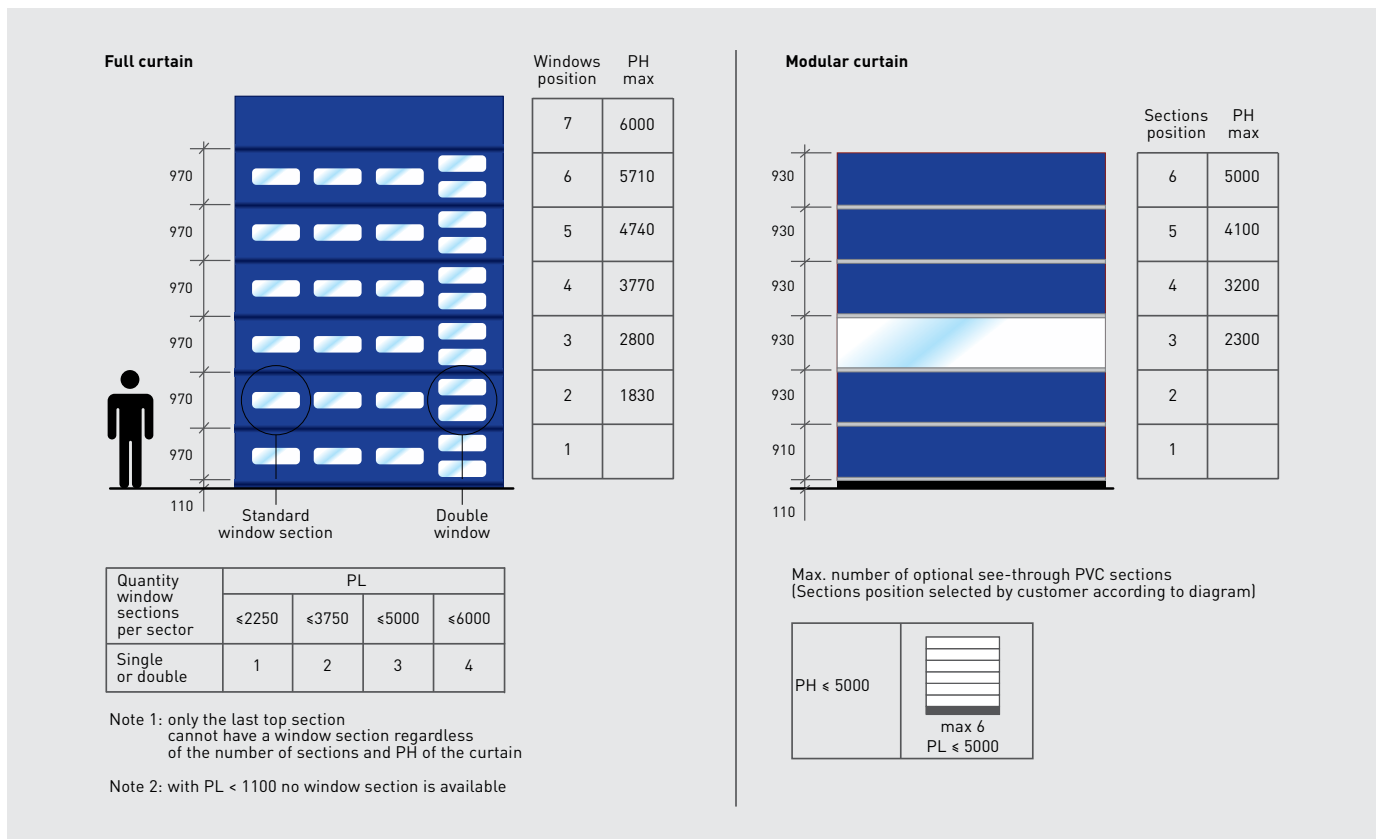
Limited  
space

Aesthetically  
styled

## Dimensional specifications



## Flexible curtain features (maximum values)



# NVM Flash CS

**Practical and versatile in multiple contexts**  
**Safe and reliable**

## Maximum versatility of use

Fast, reliable and compact, NVM Flash CS adapts easily to every context, both industrial and commercial. The version with see-through curtain is particularly suitable for internal rooms and display areas, ensuring the highest level of safety for cross-traffic.

Sturdy, reliable and safe, NVM Flash CS is the ideal automatic fast door for areas with fast movement of goods and people. The extremely small sizes allow installation even where there are large problems of space.

The version with white food use curtain allows these sector industries to handle and preserve food, for example, to resolve the problem of transit drawing great advantages of seal, insulation and comfort.

## Safe and reliable thanks to the modular counterweights system

Compact and technologically advanced, it has a modular counterweighted balancing system with strong traction belts, ensuring safe, simple and reliable operation, and extending the lifetime of the door.

## Flexibility of motor for performance suitable for every need

Upon request, the motor can be equipped with the *INVERTERmotion* system for different speeds, acceleration and braking. The motor, built in for perfect aesthetics, always works with minimum effort, lengthening the operational life of the automation.

## Curtain with high seal and lighting performance

The flexible curtain of the NVM Flash CS fast door is available in the transparent version with a central red vertical warning strip or in the coloured version with a large transparent rectangular window section.

This window section permits the most diverse operating requirements to be met, ensuring better visibility and improving safety when going through the door.

Two brushes fitted on the frame ensure a very high level of air-tightness.



Why choose  
NVM Flash CS

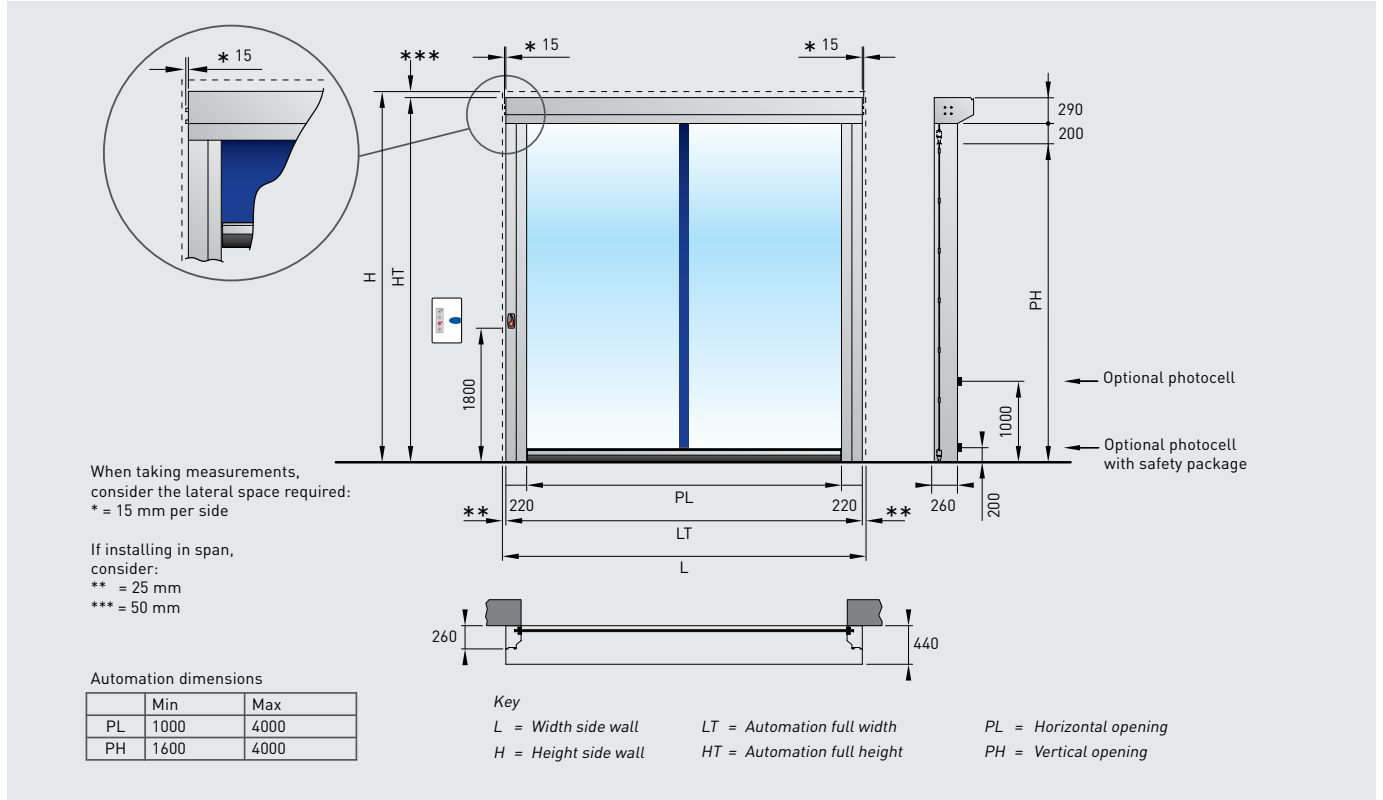
Safe and efficient  
operation

Excellent  
seal

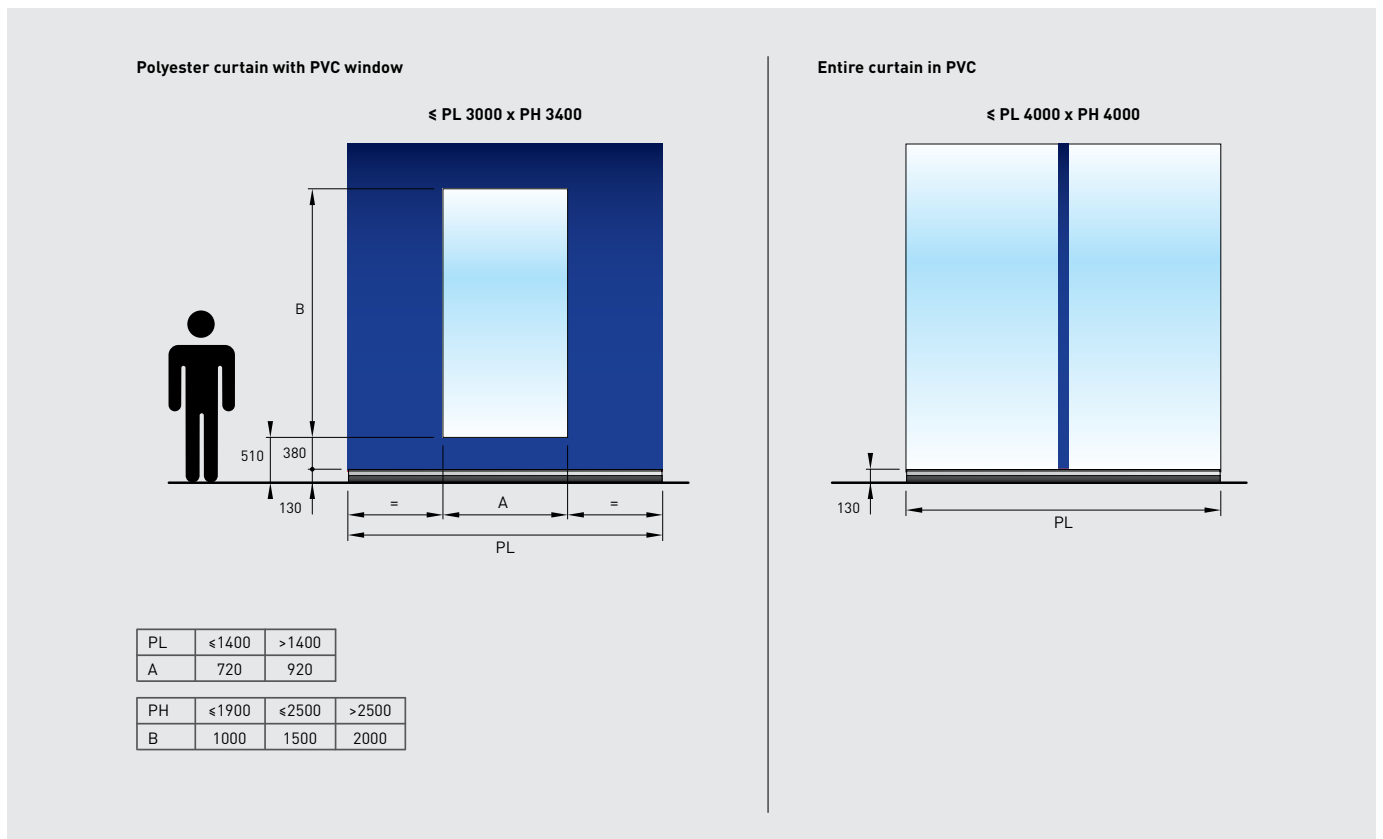
Comfortable  
light

High aesthetic  
effect

### Dimensional specifications



### Flexible curtain features (maximum values)



# NVM Traffic C

**Fast, safe and reliable with modular counterweights and *INVERTERmotion***  
**Ideal for medium to large entrances**

## **Fast, sturdy and reliable in the most diverse conditions**

NVM Traffic C is a door with sturdy, reliable and safe folding, capable of offering fast access. The door is suitable for medium to large entrances and works with ease during the most diverse conditions, including in entrances exposed to wind and in special conditions such as low-pressure rooms.

It has a built-in motor, fully concealed in the frame. The motor operates at the lowest possible power, conserving energy and prolonging operator life. Has a modular counterweighted balancing system with strong drive belts ensuring safe, smooth and reliable operation.

The solution of the sequential safety barriers, specifically designed to be mounted near vertical runners, translates into an additional instrument in terms of reliability.

## **Flexibility of motor speeds**

Upon request, NVM Traffic C can be equipped with the *INVERTERmotion* system which provides different speeds, acceleration and braking. The SOFT START and SOFT STOP functions, being part of the system, reduce stress on mechanical parts, ensuring reliability while prolonging the lifetime of the door.

They are ideal for providing quick access to vehicular traffic, and the rapid opening and closing times which minimize indoor temperature changes.

## **Aesthetic and safe flexible curtains**

The flexible curtain is available in a wide range of highly appealing designs. It comes in numerous standard colours, but is also available in special colours on request.

Suitable for windy conditions, the curtain comes in several wind resistant versions that can handle up to 120 km/h static wind pressure resistance.



Why choose  
NVM Traffic C

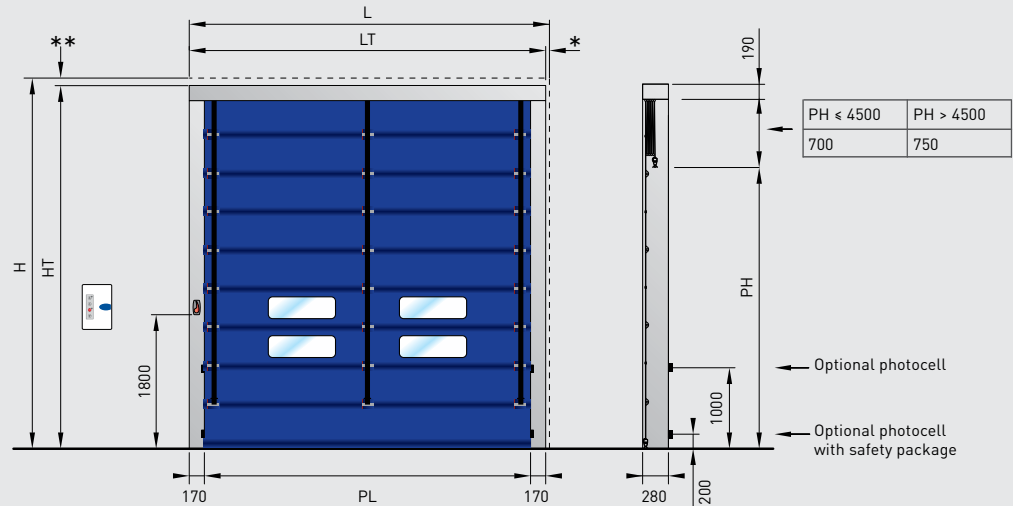
Reliable, fast and  
safe access in medium  
and large entrances

Internal and  
external entrances

Copes with high  
wind loads without  
compromising safety

Speed setting  
with the optional  
INVERTER<sup>motion</sup>  
system

## Dimensional specifications



If installing in span,  
consider:  
\* = 20 mm  
\*\* = 50 mm

Automation dimensions

	Min	Max
PL	1500	6000
PH	2000	5500

Key

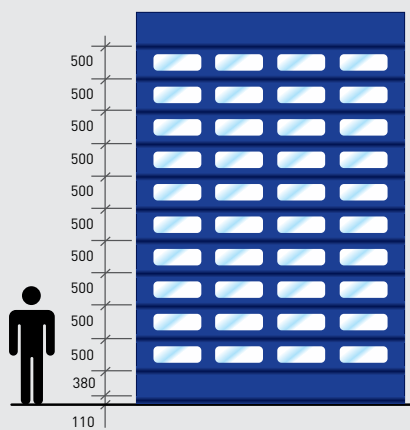
L = Width side wall  
H = Height side wall

LT = Automation full width  
HT = Automation full height

PL = Horizontal opening  
PH = Vertical opening

## Flexible curtain features (maximum values)

### Full curtain



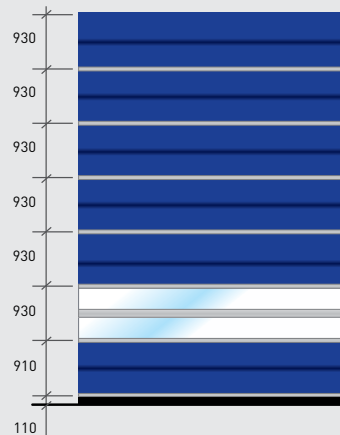
Windows  
position

Windows position	PH max
12	5500
11	5000
10	4500
9	4000
8	3500
7	3000
6	2500
5	2000
4	
3	
2	
1	

Quantity window sections per sector	PL			
	≤2250	≤3750	≤5000	≤6000
Windows	1	2	3	4

Note: only the first bottom and last top sections cannot have a window section, irrespective of the number of sectors and PH of the curtain

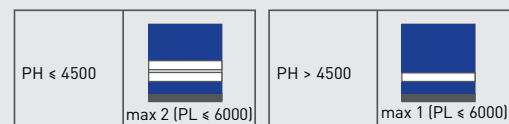
### Modular curtain



Sections position

Sections position	PH max
7	5500
6	4800
5	3900
4	3000
3	2100
2	
1	

Max. number of optional see-through PVC sections  
(Sections position selected by customer according to diagram)



Note: modular PVC see-through section can be placed on all sections, except the highest



# NVM Traffic CM

**Reliable and safe, with modular counterweights and semi-automatic emergency reopening**  
**Tireless, for large openings**

## Sturdy and reliable for large openings

The NVM Traffic CM door is a sturdy, reliable and safe solution suitable for large entrances. It is the best solution for external entrances exposed to wind and in special conditions such as low pressure rooms.

It features a built-in structure housing the motor, a counterweight balancing system, control and safety devices and a fast semi-automatic reopening device. The counterweighted balancing system ensures high operating standard in terms of performance and safety.

Maximum operational safety is also ensured by photocell sensors in the frame and the special bottom edge.

## Flexibility of the motor

NVM Traffic CM has a motor that operates at the lowest possible power, conserving energy and prolonging the operator life.

It is supplied with 1 or 2 motors depending on its size.

## Safe flexible curtains

The vertical movement of the door blade is done with lifting belts which raise and progressively gather the different sections in the upper part of the door.

The transparent window sections in the entire curtain guarantee better visibility and more safety for those passing through the door or working near it and contribute to providing value.



Why choose  
NVM Traffic CM

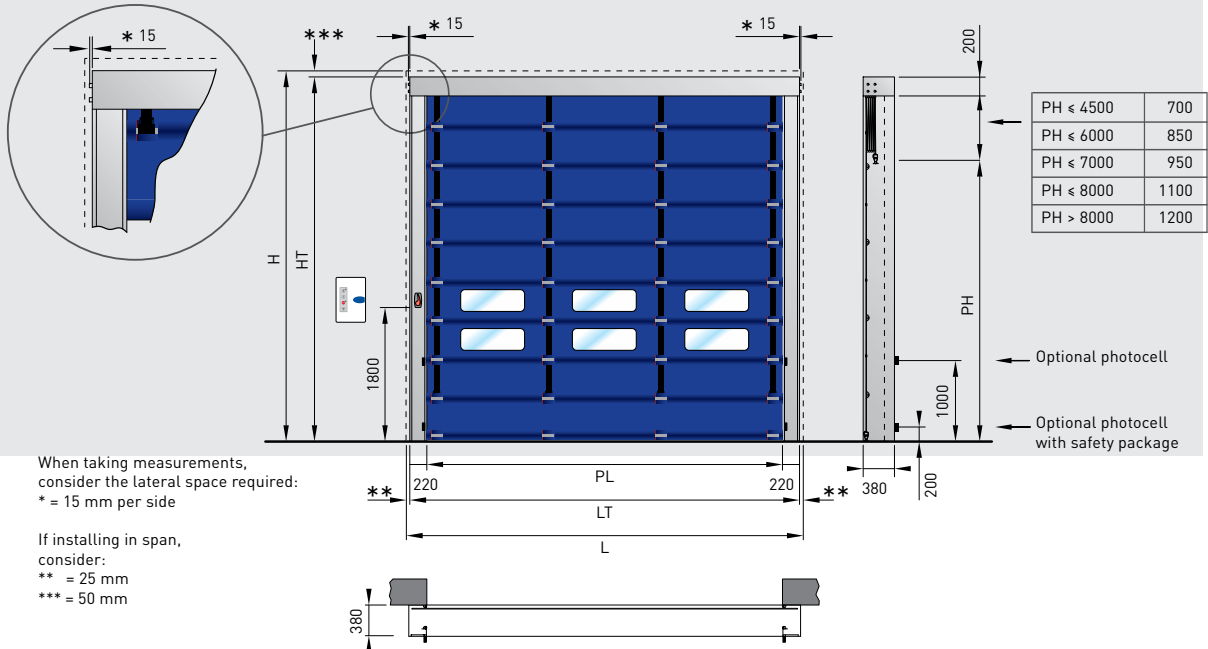
Reliable, fast and  
safe access  
for large entrances

Internal and external  
entrances

Special conditions like  
strong winds and low  
pressure rooms

Reliable functionality  
for entrances in diverse  
conditions, including  
windy areas

## Dimensional specifications



When taking measurements,  
consider the lateral space required:  
\* = 15 mm per side

If installing in span,  
consider:  
\*\* = 25 mm  
\*\*\* = 50 mm

Automation dimensions

	Min	Max
PL	1800	11000
PH	2710	7000 (8500 with PL max 9000)

Key

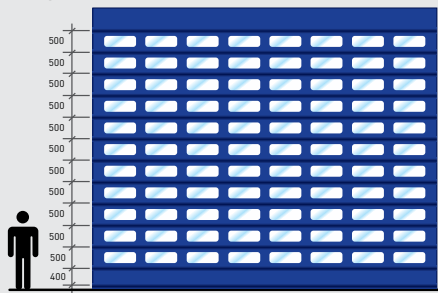
L = Width side wall  
H = Height side wall

LT = Automation full width  
HT = Automation full height

PL = Horizontal opening  
PH = Vertical opening

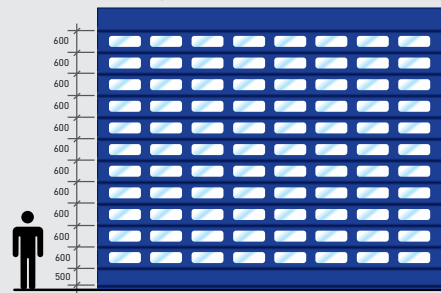
## Flexible curtain features (maximum values)

Curtain up to PH > 6000 (PL max 11000)



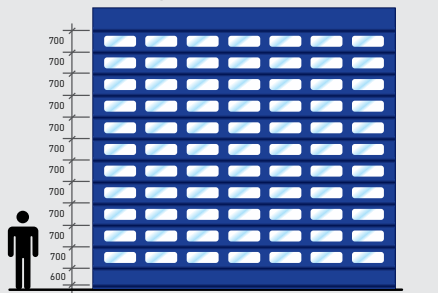
PL	≤2250	≤3750	≤5000	≤6250	≤7500	≤8500	≤9000	≤11000
Window	1	2	3	4	5	6	7	8

Curtain from PH > 6000 up to PH 7000 (PL max 11000)



PL	≤2250	≤3750	≤5000	≤6250	≤7500	≤8500	≤9000	≤11000
Window	1	2	3	4	5	6	7	8

Curtain from PH > 7000 up to PH 8500 (PL max 9000)



PL	≤2250	≤3750	≤5000	≤6250	≤7500	≤8500	≤9000
Window	1	2	3	4	5	6	7

Nota 1: only the bottom first section and the last top section  
cannot have windows

Nota 2: centre distance measurements are supplied  
for information only

# NVM Energy

**Compact, simple and reliable solution**  
**Safe with clean, rational lines**

## **Simple, practical and reliable**

Suitable for medium and large openings and entrances, NVM Energy operates simply and reliably. A sturdy and compact supporting structure, in combination with well-designed and tested motor and components, ensure uncompromising quality. The small size allows them to be installed also in small spaces and their reliability guarantees their use in the most diverse conditions, also where there is wind or in areas with low pressure.

## **Adjustable motor to satisfy all operational requirements**

The motor, mounted outside the door, is supplied complete with a manual emergency re-opening device. An optional convenient operation rod can be provided at a person's average height. The outside-mounted motor comes to the left as standard but it is also available as an option to be mounted to the right. The motor upon request can be equipped with the *INVERTERmotion* system.

Polyester lifting belts, highly resistant to wear and traction, allow the motor to operate in optimal stress conditions.

## **Safety and aesthetic value thanks to the flexible curtains**

Safety is also guaranteed thanks to the sequential barriers, a solution specifically designed to be mounted near the vertical runners which can protect the entire height of the door, up to 2.5 m, and detect people, vehicles and objects within the space, without any contact being necessary.



Why choose NVM Energy

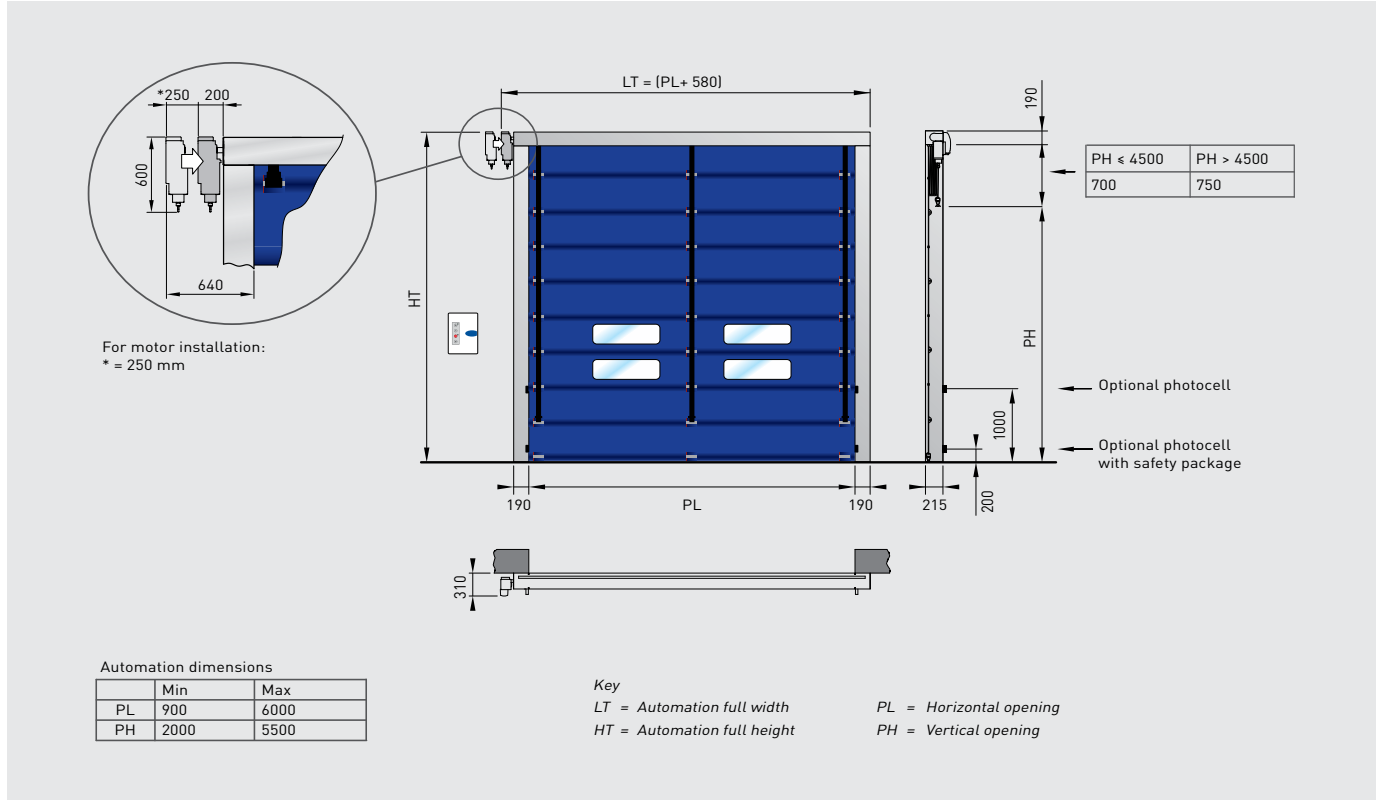
Simple, practical and reliable fast access in medium and large entrances

Internal and external entrances

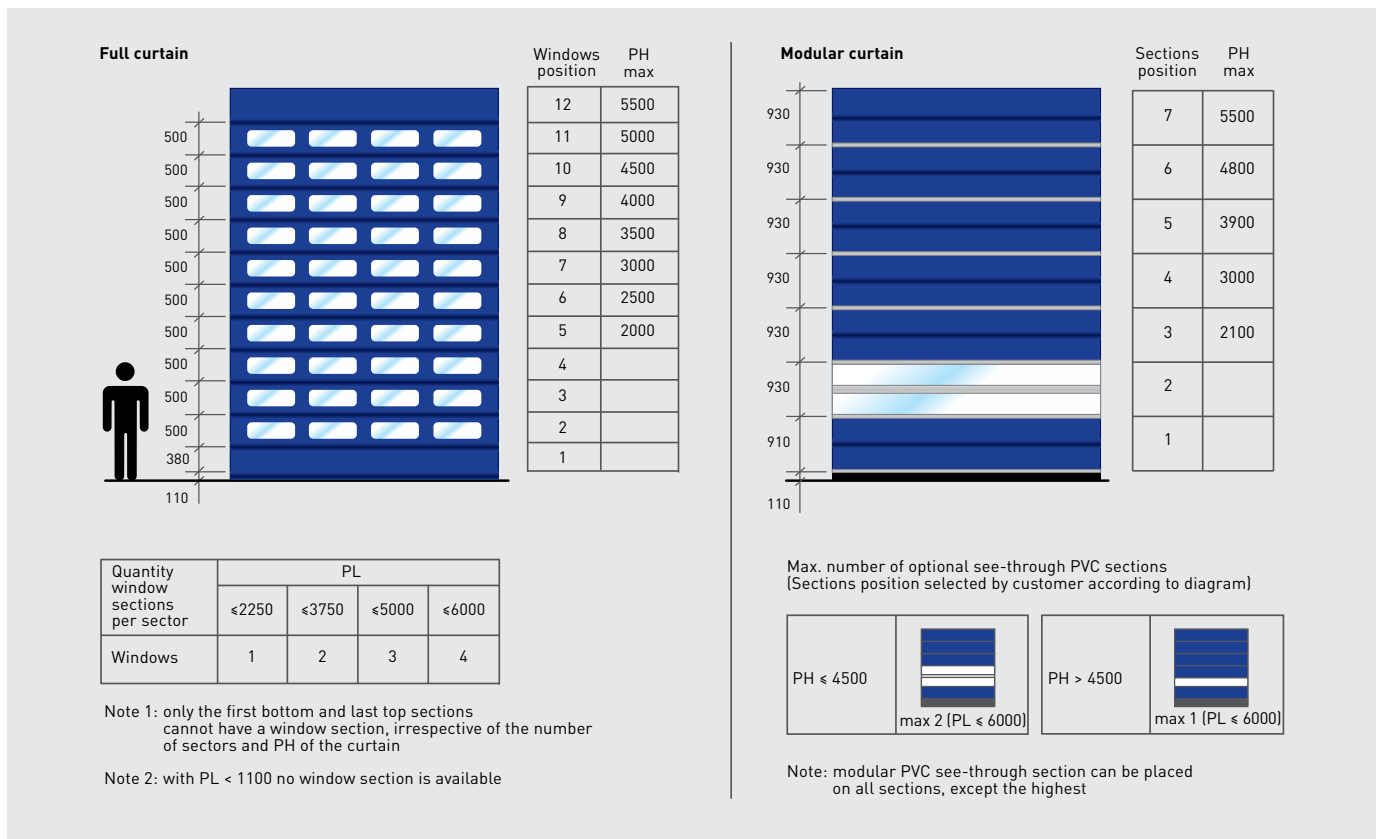
Special conditions like strong winds and low pressure rooms

Complete curtains or flexible modulars

### Dimensional specifications



### Flexible curtain features (maximum values)



# Equipment and accessories

Every component has been designed, tested and assembled to achieve the maximum performance of the door.

These automatic flexible doors will not only surprise you by their rationality and reliability, but also by the accessories which make them unique and incomparable in their product category

Description	Sector Reset	Smart Reset	Sector Plus	Smart Plus	Flash CS	Traffic C	Traffic CM	Energy
<b>SAFETY</b>								
Passive edge	■	■	■	■	■	■	■	■
Electromechanical sensitive edge			■	■	■	■	■	■
Safety rib, SOF self testing, TÜV certified			■	■	■	■	■	■
Sequential infra-red safety barriers	■	■	■		■	■	■	■
Electronic Safety Linear Encoder, SLE, device	■	■						
System with pneumatically controlled operation and sensitive edge (PL 5000 x PH 5000)			■					
<b>METAL FRAME</b>								
Complete cabling, including safety	■	■	■	■	■	■	■	■
Cover pack galvanised steel			■		■			
Cover pack in AISI 304 stainless steel			■		■			
Cover column pack galvanised steel		■						
Cover column pack in AISI 304 stainless steel		■						
Cover upper casing pack galvanised steel		■		■		■		
Cover upper casing pack AISI 304 stainless steel		■		■				
Cover casing pack galvanised steel						■		
Cover casing pack AISI 304 stainless steel								
Cover motor pack in galvanised steel		■		■				■
Cover motor pack in AISI 304 stainless steel		■		■				
Metal frame in AISI 304 stainless steel	■	■	■	■	■			
Metal frame epoxy coating standard colours	■	■	■	■	■	■	■	■
Metal frame epoxy coating special colours	■	■	■	■	■	■	■	■
Casing insulation					■			
Electronic panel built into casing (available only for INVERTERmotion)					■			
<b>MOTOR</b>								
Opening and closing Speed $\leq 0.7$ m/s							■	■
Opening and closing Speed $\leq 0.8$ m/s		■		■				
Opening and closing Speed $\leq 1.0$ m/s	■		■		■			
Opening and closing speed $\leq 1.0$ m/s ( $\leq 4500$ x PH 4500) $\leq 0.7$ m/s ( $> 4500$ x PH 4500)						■		
INVERTERmotion: opening $\leq 1.0$ m/s – closing $0.4 \div 0.8$ m/s For Energy: PL 3000 x PH 4500 and PL 4000 x PH 3100								■
INVERTERmotion: opening $\leq 1.5$ m/s – closing $0.4 \div 0.8$ m/s For Smart: PL 4000 x PH 4600 with complete curtain and module with max 2 sections in PVC		■	■	■				
INVERTERmotion: opening $\leq 1.3$ m/s – closing $0.4 \div 0.8$ m/s						■		
INVERTERmotion: opening $\leq 2$ m/s – closing $\leq 0.8$ m/s	■							
INVERTERmotion: opening $\leq 2$ m/s – closing $0.4 \div 0.8$ m/s					■			
Motor with special rustproof treatment and IP65 rated limit switch (no INVERTERmotion)						■		
Semi-automatic emergency reopening system	■		■		■	■	■	
Emergency manual device whit motor crank usable from the ground		■		■				■
Special RH side position		■		■				■

Description	Sector Reset	Smart Reset	Sector Plus	Smart Plus	Flash CS	Traffic C	Traffic CM	Energy
<b>FLEXIBLE CURTAIN</b>								
Standard see-through PVC window section, 980 x H 300, for full curtain	■	■	■	■		■	■	■
Super see-through PVC window section, 920 x H 1600 (excluding insulated curtain)	■	■						
Window sections in fine micro mesh	■	■	■	■		■	■	■
Double PVC see-through window section 980 x H 300 for full curtain			■	■				
Entire curtain of 900 g/m <sup>2</sup> - approx. 0.7 mm thick	■	■	■	■	■	■	■	■
Curtain with modular sections for 900 g/m <sup>2</sup> - approx. 0.7 mm thick (Sector and Smart PH max 5000)			■	■		■		■
See-through PVC modular section			■	■		■		■
See-trough PVC curtain with central red warning strip (≤ PL 3000 x PH 3400)					■			
Non-tear full polyester curtain of 1200 g/m <sup>2</sup> - approx. 1 mm thick in blue, grey and red	■	■	■	■	■			
Insulated curtain Ug 4.0 W/m <sup>2</sup> , K 3.5 mm thick in blue and grey	■	■						
Eco white RAL 9010 for polyester curtain - for food use	■	■			■			
Supplement for version with 4a reinforcement strip	■	■						
Polyester roll-up curtain special colour (subject to confirmation)	■	■	■	■	■	■	■	■
<b>ACCESSORIES</b>								
Magnetic loop	■	■	■	■	■	■	■	■
Radar	■	■	■	■	■	■	■	■
433 MHz transmitter and receiver	■	■	■	■	■	■	■	■
Photocells	■	■	■	■	■	■	■	■
Buttons	■	■	■	■	■	■	■	■
Interlock	■	■	■	■	■	■	■	■
Traffic lights, red and green	■	■	■	■	■	■	■	■
Emergency devices: supplemental release devices	■		■		■	■		
Emergency devices: automatic anti-panic system for set-ups without INVERTER <i>motion</i> (only for Traffic and Traffic CM): PH > 4000 mm)	■		■		■	■	■	
Emergency devices: UPS only with INVERTER <i>motion</i> : (only for Smart: PL max 4000 x PH 4600 and full curtain)	■	■	■	■	■	■		■
Cycle counter kit	■	■	■	■	■	■	■	■
Protection in RAL 1023 yellow	■	■	■	■	■	■	■	■

KEY: ■ optional ■ standard

### Curtains - Standard available colours



OTHER COLOURS UPON REQUEST

# other products in the NVM range

## Motors

Including Tube Motors from 30nm to 330nm in manual over-ride or non-manual over-ride options to suit 60mm, 70mm octagonal Tube, 65mm, 89mm Du Prat Tube, 94mm, 97mm, 120mm round tube.

Flange Mounted / fire Shutter operators, to suit 4", 5", 5 1/2", 6" & 8" tube from 200nm to 1300nm in either single or 3phase, including bracket packs, fusible links and fire control panels.

Direct Drive motors and Sectional Door motors, in single or 3 phase, from 30mm to 55mm shaft sizes and from 60nm to 1,400nm rating in either mechanical or digital limit options.

All accompanied by a full range of Inertia Safety Brakes, Dummy Ends and Idlers or shafts and discs. Crank Handles, Rockers and Key-switches, Endplates and Haul chain.

## Shutter Components

Including a full range of stocked or bespoke Gears, Castings, Endlocks, Wind-end Locks, Chain & Chain-wheels, Anchors, Springs, Bearing Blocks, Spring Blocks, Endplates, Shutter locks, Isolators and Pin locks.

## Wicket Gates

Standard or Euro sizes with Night Latch, Fire Exit, Double Cam and Insulated Lath options. Interlock Safety Devices, Extended and Heavy duty hinge sets.

## Sectional Door Components

Including Chain-hoists, Hinges, Track, Rollers, Shoot-bolts and many other parts.

## Sliding / Folding Door Components

Including Hangers, Rollers, Bottom / Top Blocks, Lattice Pins, T-Bolts Handles and Vision Panels.

## Control Systems

Including Receivers, Group receivers and commands, intelligent garage door controllers, fire shutter controllers, waterproof controllers, computer controlled transmitters, handsets, single or multi-channel fobs, wireless and wired switches, LED switches and wall mounted multi-channel switches.

## Steel Doorsets

Including Fire Exit, 12 point locking Personnel Doors and Double Doorsets from stock or bespoke doors to suit any size, and hardware specification including Fire Rated doors up to 4 hours and LPC rated doors up to Level 3.

## Automatic Sliding Door & Swing Door Operators.

NVM offer a range of Automatic Sliding Doors, in either Pre-Cut kits or Bar Length. The Automatic Sliding Door range is accompanied by the comprehensive range of accessories including Access Control, Remote & Function Control, Safety Sensors and Battery Back Up devices.

Our Swing Door Operator range is available with Remote Control, Fire Exit Control, and is supported by a range of Sensors, Door Safety Protection and Access Control. The Swing Door Operator range is available in Light, Medium and Heavy Duty Ratings.

Revolving Doors, Telescopic Doors, Curved Doors and Hermetically Sealed Doors are also available on a Bespoke Service.

Topscan, Optex and Hotron Sensors are all compatible with the Auto & Swing Door Range and available from stock.



Brook Street Nelson Lancashire BB9 9PU  
t : 01282 615239 f : 01282 698509  
e : [sales@nvmgroup.co.uk](mailto:sales@nvmgroup.co.uk)  
w : [www.nvmgroup.co.uk](http://www.nvmgroup.co.uk)